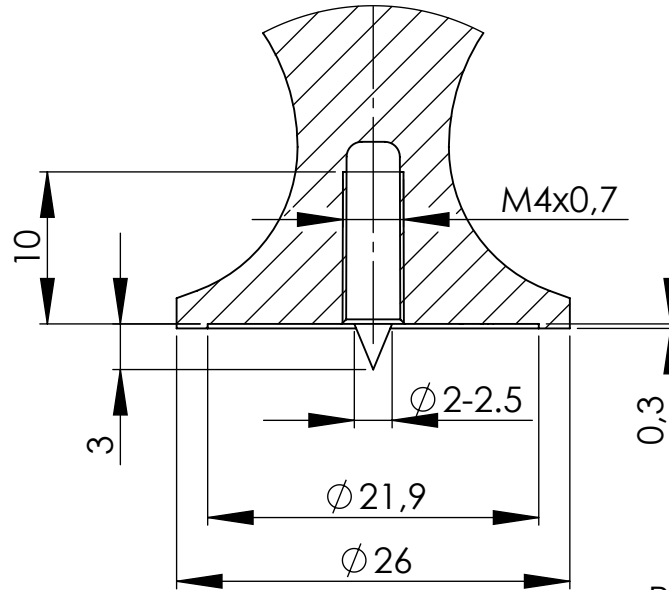
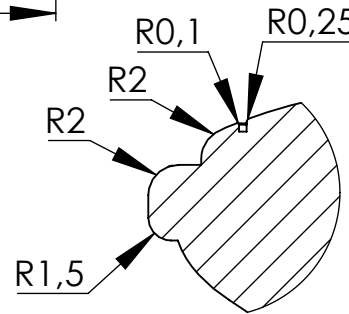


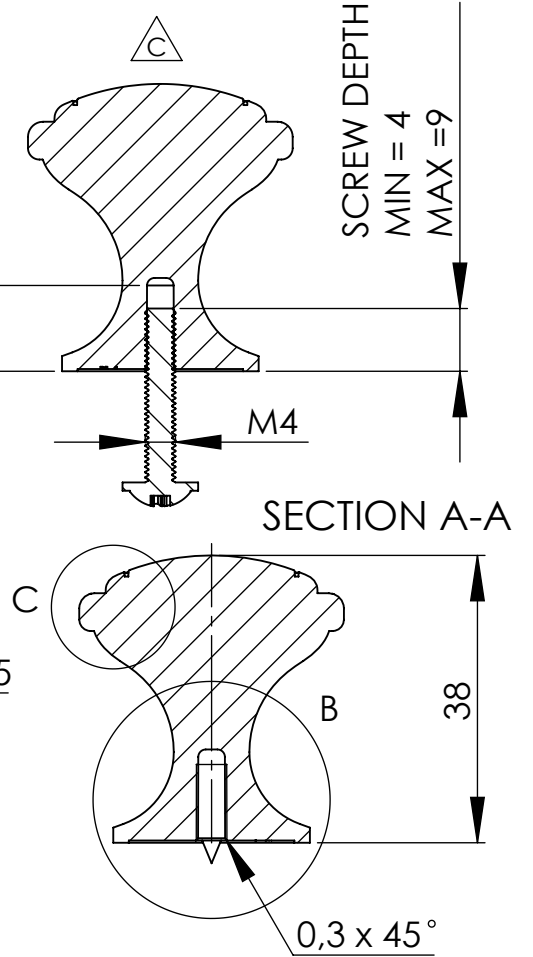
DETAIL B
SCALE 2 : 1



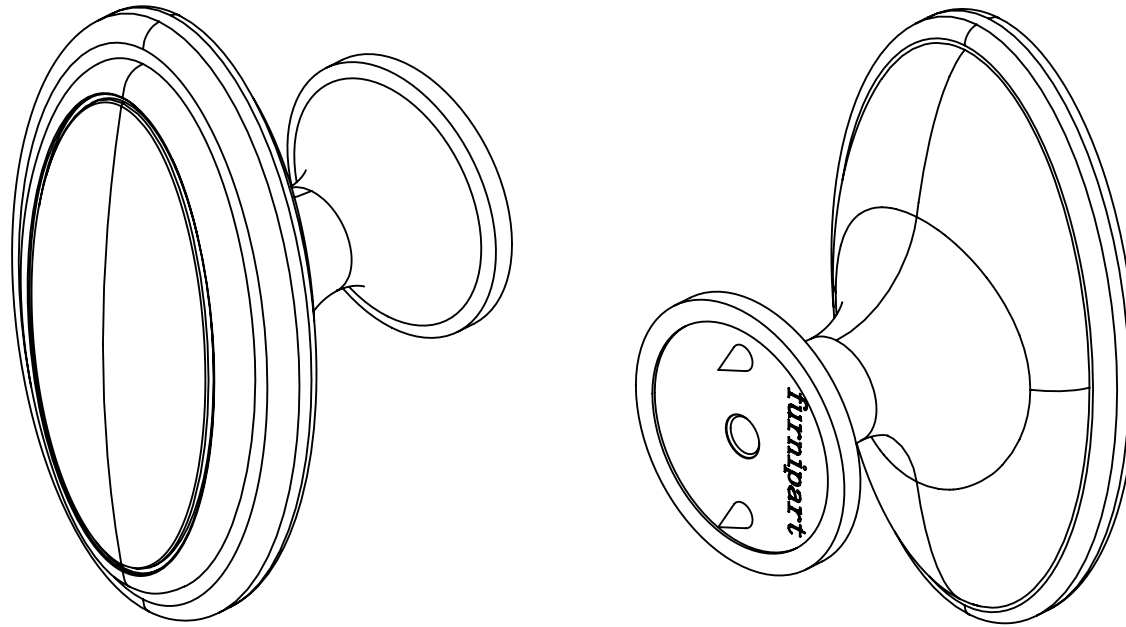
DETAIL C
SCALE 2 : 1

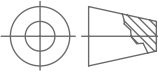



HANDLE THREAD
DEPTH = 10



Part name: OVAL Knobs		Projection: 	Sheet format: A4	Tolerance unless otherwise specified																				
Customer:		Drawn by: ps date 4. juli 2012	Scale: 1:1	<table border="1"> <tr> <th>Linear dimensions:</th> <th>0-25</th> <th>>25-50</th> <th>>50-100</th> <th>>100-200</th> <th>>200</th> <th></th> <th></th> </tr> <tr> <td></td> <td>± 0.1</td> <td>± 0.2</td> <td>± 0.3</td> <td>± 0.5</td> <td>± 1</td> <td></td> <td></td> </tr> </table>					Linear dimensions:	0-25	>25-50	>50-100	>100-200	>200				± 0.1	± 0.2	± 0.3	± 0.5	± 1		
Linear dimensions:	0-25	>25-50	>50-100	>100-200	>200																			
	± 0.1	± 0.2	± 0.3	± 0.5	± 1																			
Part no.: 514960060		Page 1 of 2		<table border="1"> <tr> <th>Angle</th> <th>Radius</th> <th>Chamfer</th> <th></th> <th></th> <th></th> </tr> <tr> <td>± 0.5°</td> <td>0.3</td> <td>0.3-0.5x45°</td> <td></td> <td></td> <td></td> </tr> </table>					Angle	Radius	Chamfer				± 0.5°	0.3	0.3-0.5x45°							
Angle	Radius	Chamfer																						
± 0.5°	0.3	0.3-0.5x45°																						
Material: Zinc		Weight: 146,01 grams		<p>Delta 2 Phone: +45 87 64 35 00 DK-8382 Hinnerup Fax: +45 87 64 35 01</p>																				
Rev.:	Date:	Name:	Description:																					
C	01-08-2017	IKR	Screw definition added																					
B	12-06-2017	IKR	Dimensions and chamfer added																					
A	04-07-2012	PS	Initial release																					



Part name: OVAL Knobs		Projection: 	Sheet format: A4	Tolerance unless otherwise specified																				
Customer:		Drawn by: ps date 4. juli 2012	Scale: 1.5:1	<table border="1"> <tr> <td>Linear dimensions:</td> <td>0-25</td> <td>>25-50</td> <td>>50-100</td> <td>>100-200</td> <td>>200</td> <td></td> <td></td> </tr> <tr> <td></td> <td>± 0.1</td> <td>± 0.2</td> <td>± 0.3</td> <td>± 0.5</td> <td>± 1</td> <td></td> <td></td> </tr> </table>					Linear dimensions:	0-25	>25-50	>50-100	>100-200	>200				± 0.1	± 0.2	± 0.3	± 0.5	± 1		
Linear dimensions:	0-25	>25-50	>50-100	>100-200	>200																			
	± 0.1	± 0.2	± 0.3	± 0.5	± 1																			
Part no.: 514960060		Page 2 of 2		<table border="1"> <tr> <td></td> <td>Angle</td> <td>Radius</td> <td>Chamfer</td> <td></td> <td></td> <td></td> </tr> <tr> <td></td> <td>± 0.5°</td> <td>0.3</td> <td>0.3-0.5x45°</td> <td></td> <td></td> <td></td> </tr> </table>						Angle	Radius	Chamfer					± 0.5°	0.3	0.3-0.5x45°					
	Angle	Radius	Chamfer																					
	± 0.5°	0.3	0.3-0.5x45°																					
Material: Zinc		Weight: 146,01 grams																						
Rev.:	Date:	Name:	Description:						Delta 2 Phone: +45 87 64 35 00 DK-8382 Hinnerup Fax: +45 87 64 35 01															
C	01-08-2017	IKR	Screw definition added	COPYRIGHT: THIS DRAWING MAY NOT BE COPIED OR REPRODUCED IN ANY WAY WITHOUT DIRECT PERMISSION FROM FURNIPART A/S																				
B	12-06-2017	IKR	Dimensions and chamfer added																					
A	04-07-2012	PS	Initial release																					